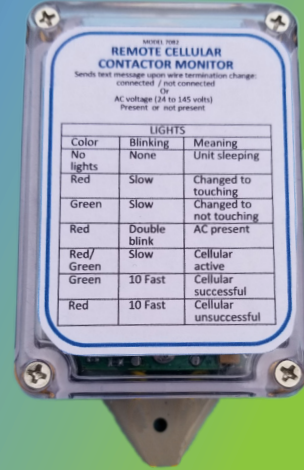


# Innovative technology with seamless integration.

## The Contactor

LEVEL DEVIL by SensorTech



The Contactor is a cellular remote transmitter unit with a binary sensor capability to reflect an open or short condition.

The Contactor connects to:

- RELAYS
- FLOATS
- LIMIT SWITCHES
- PRESSURE MATS
- METAL PLATES
- VARIOUS OTHER DEVICES

The Contactor can provide numerous answers:

- IS THE DOOR LOCKED?
- IS THE WATER LEVEL BELOW 2 FEET?
- IS THE FAN ELECTRICITY ON?
- IS THE TEMPERATURE BELOW 55F?
- IS THE WATER FLOWING?

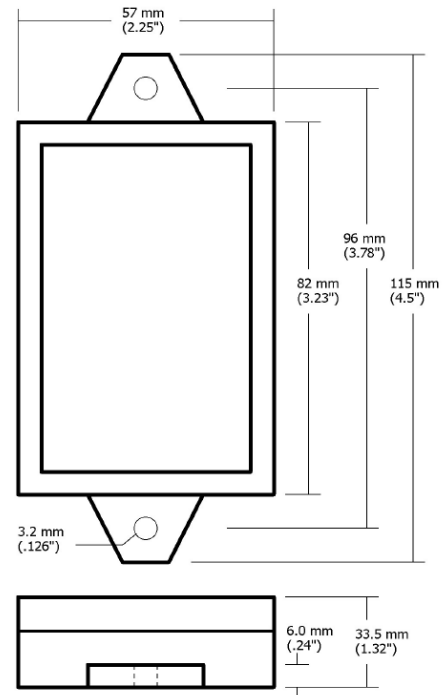
Ask a Yes or No question, and the Contactor will answer, day or night, within seconds.

Includes 120 VAC Detection On/Off Reporting.

The Contactor is self-contained, battery-powered, activated and ready-to-use, right out of the box. Hook its wires to any set of dry contacts, and access your data through the Remote Contactor App.

Enter your cell phone number and the question you need answered and you are ready to go.

Set alerts to provide up to 10 phones the text answer to your question, even if the cell phone does not have the Remote Contactor App installed, the answer will be shared with those that need to know.



# The Contactor™

LEVEL DEVIL by SensorTech

PARAMETER	Value
INPUTS	2-wires: 8-inches(200mm) 20AWG
CONTACT CAPTURE TIME	Adjustable 0 sec. to 1 hour (default 7 sec.)
CARRIER	Verizon, AT&T, T-Mobile and others.. (Any 4G LTE CAT M1 or NB1)
INDICATORS	2 LEDs Red & Green
REPLACEABLE BATTERY	3.6 volt battery with booster ESI PN: BATT3.6V-BHPC
BATTERY LIFE	Over 700 updates (2 years at 1 report per day)
TEMPERATURE	-40F to 140F (-40C to 60C)
CASE	Gasket sealed PVC; Weatherproof & UV protected
WEIGHT	4oz, 113g
WARRANTY	1 year (not including battery)
SPECIFICATIONS SUBJECT TO CHANGE WITHOUT NOTICE	

With the Contactor smart phone App, you can control every one of your Contactors: Enable/disable Contactors, add/remove users and alerts, change alert messages, setup timed reports, and display report history.

Quickly answer questions that:

- SAVE YOU MONEY
- DRIVE ACTION
- DELIVER PEACE OF MIND



Contact Us

316-267-2807 | [SensorTechLLC.com](http://SensorTechLLC.com)